



# PRODUCT DISPLAYS

## CUSTOM BUILT IN-STORE DEMO DISPLAY FEATURING YOUR CHOICE OF PRODUCT SELECTION

Because an in-store display is the most efficient way to demo product, BOSS AUDIO SYSTEMS engineering have designed our custom in-store demo display to look and sound better, sell better, and present more audio product than ever before. BOSS AUDIO SYSTEMS will custom build each display to your specific product selection.



**FULL COMPONENT DISPLAY**  
36" (W) x 31-1/8" (D) x 80" (H)

Our full-component display is set to house four in-dash receivers/DVD players and an equalizer of your choice.

The upper section of the display is built to house two flip down monitors or headrests. Our countertop head rest display will showcase our 7"; 8"; and 9" head rests (with or without DVD).

In the center section, which houses the receivers, EQ, and DVD unit you'll have room to select one pair of speakers, (6" x 9", 6-1/2", 5-1/4" and 4"). The bottom section positions the two 12" subwoofers, at a studio-monitor angle designed to optimize the listening field at 4 or 5 feet.

In the section below the speakers, you may choose three or four amplifiers to supply all the audio power needed.

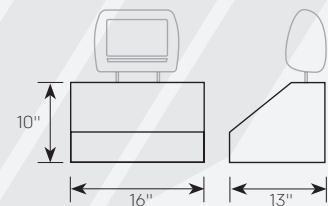
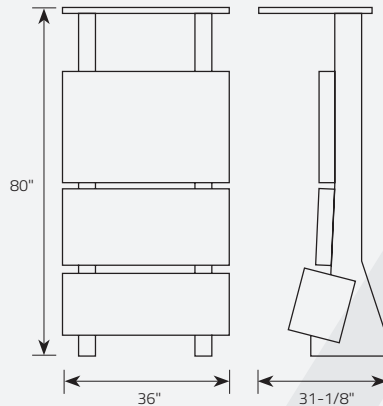
For systems with multiple monitors we use a BV-AM5 to boost the video signal. For radio reception we'll install a MRANT-10 (AM/FM antenna) and an antenna splitter (for the multiple receivers).

Your BOSS AUDIO SYSTEMS in-store display will be delivered with all products installed. To have your display plug-in-ready, a power supply will also be installed at an additional cost.

Please contact your account manager for additional information concerning our display purchase program.

### HEADREST COUNTERTOP DISPLAY

16" (W) x 13" (D) x 10" (H)





**BOSS AUDIO SYSTEMS**

3451 LUNAR COURT ■ OXNARD, CA 93030

[www.bossaudio.com](http://www.bossaudio.com) ■ 805.988.0192

All specifications are subject to change without notice. Copyright© 2018 BOSS AUDIO SYSTEMS.

iPod® and iPhone® are trademarks of Apple, Inc. registered in the U.S. and other countries. BOSS Audio Systems is not affiliated with Apple, Inc.

The Bluetooth® word mark and logos are registered trademarks owned by Bluetooth SIG, Inc. and any use of such marks by BOSS Audio Systems is under license. Other trademarks and trade names are those of their respective owners.